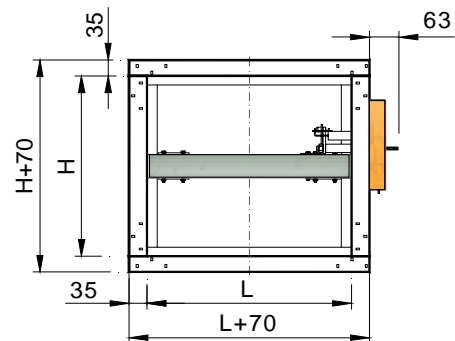
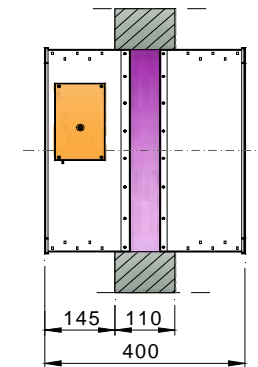
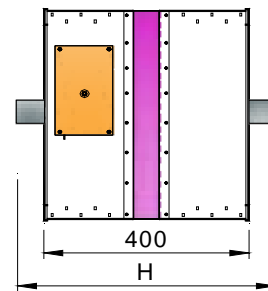


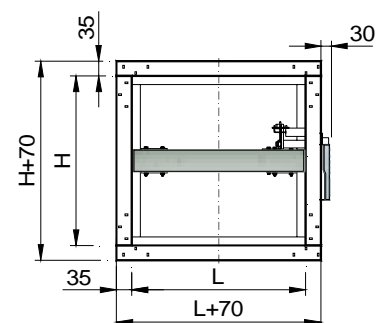
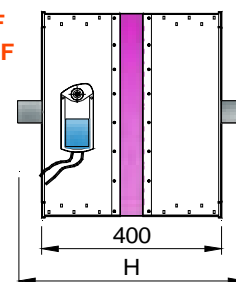
EN-1366-2 fire dampers



FOK-EIS-120- MA



**FOK-EIS-120-M7F
FOK-EIS-120- M16F**



Description

Fire dampers for rectangular duct mounting. Dampers for horizontal assembly, tested and classed EIS-120 (Integrity, Insulation and smoke leakage during 120 minutes) in accordance to the European standard EN-1366-2, to comply with building regulations for fire safety. Dampers with shutting mechanism by thermal fusible link at 72°C. An air-tightness joint prevents the propagation of smoke to low temperature, while the expanding joint is dilating to seal the damper. These dampers full fill the required conditions for the (S) symbol, air-tightness to cold smoke. In case of fire, poisoning by smoke is the main cause of death. Dampers made from galvanised steel and non-combustible board.

FOK-EIS-120-H Damper with angled flange connection. Blade parallel to the large side.

FOK-EIS-120-V Damper with angled flange connection. Blade parallel to the short side.

...-**MA** Manual resetting damper. Is not necessary to open the box device.

...-**M7F** Damper operated by an actuator with switch off device at 24 or 230v.

...-**M16F** Damper operated by an actuator with switch off device at 24 or 230v.

Accessories

/CR/ Flat connection flange (supplement 7%)

/PIF/ Open / closed switches device (16,77 €)

/FBC/ Solenoid at 24/48v. Closes by electric current (100,37 €)

/FBA/ Solenoid at 230v. Closes by electric current (107,98 €)

/FEC/ Solenoid at 24/48v. Closes when current stops (83,61 €)

/FEA/ Solenoid at 230v. Closes when current stops (92,58 €)

Fixing

1) Connection into a duct: [Page 135](#)

Specification Text

Supply and mounting of fire damper classed EIS-120 in accordance to the European standard EN-1366-2 series

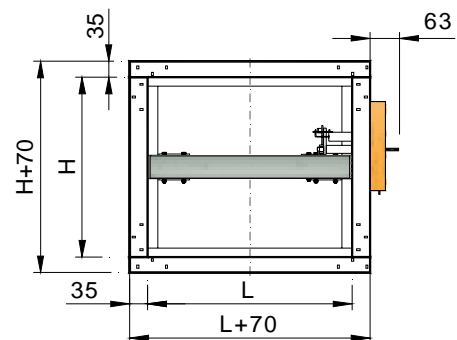
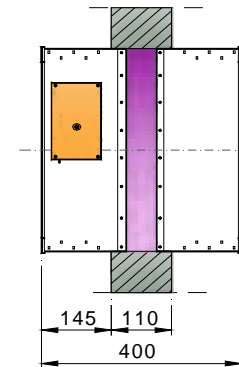
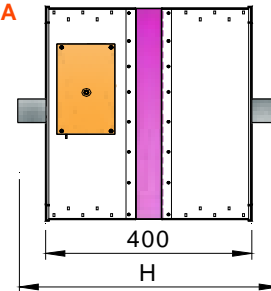
FOK-EIS-120-H-M7F24 LxH. Operated by means of a servomotor at 24v **M7F24**, start and end of course switches. Dampers made from galvanised steel and non-combustible board. Thermal fusible link at 72°C. An air-tightness joint prevents the propagation of smoke to low temperature, while the expanding joint is dilating to seal the damper. Manufacturer **MADEL**.

L x H mm	FOK-EIS-120- MA eur	FOK-EIS-120- M7F-24 v eur	FOK-EIS-120- M7F-230 v eur	L x H mm	FOK-EIS-120- MA eur	FOK-EIS-120- M7F-24 v eur	FOK-EIS-120- M7F-230 v eur
200x200	161,53	364,13	373,74	800x400	252,71	455,31	464,92
250x200	165,42	368,00	377,62	900x400	263,03	465,61	475,23
300x200	169,29	371,87	381,49	1000x400	273,34	475,92	485,53
350x200	173,31	375,89	385,51	1100 x 400	323,27	525,85	535,47
400x200	177,18	379,76	389,38	1200 x 400	340,72	543,30	552,92
450x200	181,20	383,78	393,40	1300 x 400	354,66	557,25	566,87
500x200	185,07	387,66	397,27	1400 x 400	368,62	571,21	580,81
550x200	189,09	391,67	401,29	1500 x 400	382,57	585,15	594,77
600x200	192,96	395,55	405,16	450x450	215,36	417,96	427,56
700x200	200,86	403,44	413,06	500x450	220,76	423,34	432,96
800x200	215,74	418,33	427,94	550x450	226,28	428,87	438,49
900x200	223,64	426,22	435,83	600x450	231,67	434,25	443,87
1000x200	231,53	434,11	443,73	700x450	249,58	452,16	461,78
1100 x 200	258,61	461,20	470,82	800x450	260,49	463,07	472,69
1200 x 200	268,27	470,86	480,47	900x450	271,40	473,99	483,60
1300 x 200	277,93	480,51	490,13	1000x450	282,32	484,90	494,52
1400 x 200	287,59	490,17	499,79	1100 x 450	341,46	544,04	553,66
1500 x 200	304,23	506,82	516,43	1200 x 450	356,48	559,07	568,68
250x250	169,59	372,17	381,79	1300 x 450	371,50	574,10	583,70
300x250	173,76	376,35	385,96	1400 x 450	386,52	589,12	598,73
350x250	178,08	380,67	390,29	1500 x 450	401,56	604,14	613,76
400x250	182,26	384,85	394,46	500x500	226,44	429,02	438,64
450x250	186,57	389,17	398,77	550x500	232,27	434,85	444,47
500x250	190,76	393,34	402,95	600x500	244,95	447,54	457,16
550x250	195,07	397,65	407,27	700x500	256,46	459,06	468,66
600x250	206,25	408,83	418,45	800x500	267,98	470,57	480,18
700x250	214,74	417,33	426,95	900x500	279,50	482,09	491,70
800x250	223,23	425,83	435,43	1000x500	294,51	497,10	506,72
900x250	231,73	434,32	443,93	1100 x 500	355,87	558,46	568,07
1000x250	240,23	442,81	452,43	1200 x 500	371,97	574,56	584,16
1100 x 250	273,03	475,62	485,23	1300 x 500	388,07	590,65	600,27
1200 x 250	290,75	493,34	502,96	1400 x 500	404,17	606,75	616,37
1300 x 250	301,49	504,07	513,69	1500 x 500	420,26	622,85	632,46
1400 x 250	312,22	514,80	524,42	550x550	245,24	447,84	457,44
1500 x 250	322,94	525,54	535,14	600x550	251,23	453,83	463,43
300x300	178,24	380,82	390,44	700x550	263,36	465,94	475,56
350x300	182,85	385,45	395,05	800x550	275,48	478,06	487,68
400x300	187,33	389,93	399,53	900x550	291,10	493,68	503,30
450x300	191,96	394,54	404,16	1000x550	303,22	505,81	515,42
500x300	203,43	406,02	415,63	1100 x 550	370,28	572,87	582,49
550x300	208,05	410,64	420,26	1200 x 550	387,46	590,04	599,66
600x300	212,53	415,12	424,74	1300 x 550	404,63	607,21	616,83
700x300	221,63	424,22	433,83	1400 x 550	421,80	624,38	634,00
800x300	230,74	433,32	442,93	1500 x 550	438,97	641,56	651,17
900x300	239,83	442,42	452,03	600x600	257,80	460,38	470,00
1000x300	255,93	458,51	468,13	700x600	270,52	473,11	482,73
1100 x 300	294,44	497,03	506,64	800x600	286,75	489,34	498,95
1200 x 300	306,25	508,83	518,45	900x600	299,48	502,07	511,67
1300 x 300	318,04	520,63	530,25	1000x600	312,21	514,79	524,41
1400 x 300	329,85	532,44	542,05	1100 x 600	-	587,57	597,17
1500 x 300	341,65	544,24	553,85	1200 x 600	-	605,80	615,42
350x350	187,63	390,21	399,83	700 x 700	332,51	535,10	544,71
400x350	192,41	395,00	404,61	800 x 700	352,91	555,49	565,10
450x350	204,33	406,92	416,53	900 x 700	373,30	575,88	585,50
500x350	209,12	411,70	421,32	1000 x 700	393,69	596,28	605,89
550x350	214,04	416,62	426,24	1100 x 700	-	616,66	626,28
600x350	218,82	421,41	431,02	1200 x 700	-	637,06	646,68
700x350	228,53	431,11	440,73	800 x 800	375,56	578,15	587,77
800x350	238,23	440,82	450,43	900 x 800	398,10	600,70	610,30
900x350	254,93	457,51	467,13	1000 x 800	420,65	623,23	632,85
1000x350	264,63	467,21	476,83	1100 x 800	-	645,77	655,38
1100 x 350	308,86	511,44	521,06	1200 x 800	-	668,31	677,92
1200 x 350	321,73	524,31	533,93	mm		M16F-24 v	M16F-230 v
1300 x 350	338,11	540,69	550,31	1300 x 600	-	697,00	732,39
1400 x 350	350,98	553,57	563,18	1400 x 600	-	715,25	750,64
1500 x 350	363,86	566,45	576,06	1500 x 600	-	733,50	768,89
400x400	204,48	407,07	416,69	1300 x 700	-	730,41	765,80
450x400	209,71	412,29	421,91	1400 x 700	-	750,80	786,19
500x400	214,80	417,38	427,00	1500 x 700	-	771,19	806,58
550x400	220,02	422,61	432,22	1300 x 800	-	763,80	799,19
600x400	225,10	427,69	437,30	1400 x 800	-	786,35	821,73
700x400	235,41	438,00	447,61	1500 x 800	-	808,89	844,28

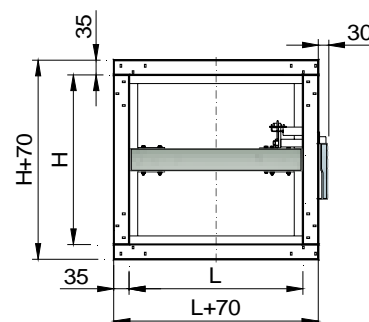
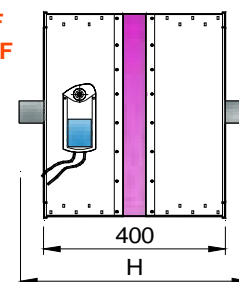
EN-1366-2 fire dampers



FOK-EIS-180- MA



**FOK-EIS-180-M7F
FOK-EIS-180- M16F**



Description

Fire dampers for rectangular duct mounting and wall mounting or horizontal assembly, tested and classed EIS-180 (Integrity, Insulation and smoke leakage during 180 minutes) in accordance to the European standard EN-1366-2, to comply with building regulations for fire safety. Dampers with shutting mechanism by thermal fusible link at 72°C. An air-tightness joint prevents the propagation of smoke to low temperature, while the expanding joint is dilating to seal the damper. These dampers full fill the required conditions for the (S) symbol, air-tightness to cold smoke. In case of fire, poisoning by smoke is the main cause of death. Dampers made from galvanised steel and non-combustible board.

FOK-EIS-180-H Damper with angled flange connection. Blade parallel to the large side.

FOK-EIS-180-V Damper with angled flange connection. Blade parallel to the short side.

...-**MA** Manual resetting damper. Is not necessary to open the box device.

...-**M7F** Damper operated by an actuator with switch off device at 24 or 230v.

...-**M16F** Damper operated by an actuator with switch off device at 24 or 230v.

Accessories

/CR/ Flat connection flange (supplement 7%)

/PIF/ Open / closed switches device (16,77 €)

/FBC/ Solenoid at 24/48v. Closes by electric current (100,37 €)

/FBA/ Solenoid at 230v. Closes by electric current (107,98 €)

/FEC/ Solenoid at 24/48v. Closes when current stops (83,61 €)

/FEA/ Solenoid at 230v. Closes when current stops (92,58 €)

Fixing

1) Connection into a duct: [Page 135](#)

Specification Text

Supply and mounting of fire damper classed EIS-180 in accordance to the European standard EN-1366-2 series

FOK-EIS-180-H-M7F24 LxH. Operated by means of a servomotor at 24v **M7F24**, start and end of course switches. Dampers made from galvanised steel and non-combustible board. Thermal fusible link at 72°C. An air-tightness joint prevents the propagation of smoke to low temperature, while the expanding joint is dilating to seal the damper. Manufacturer **MADEL**.

Note

For sizes > 1000 X 600 the classification of dampers is in horizontal elements (ceiling).

L x H mm	FOK-EIS-180- MA eur	FOK-EIS-180- M7F-24 v eur	FOK-EIS-180- M7F-230 v eur	L x H mm	FOK-EIS-180- MA eur	FOK-EIS-180- M7F-24 v eur	FOK-EIS-180- M7F-230 v eur
200x200	164,86	367,44	377,06	800X400	281,42	484,00	493,62
250x200	169,61	372,20	381,81	900x400	295,37	497,95	507,57
300x200	174,37	376,96	386,57	1000x400	309,32	511,90	521,52
350x200	179,27	381,86	391,47	1100 x 400	326,50	531,11	540,82
400x200	184,03	386,62	396,23	1200 x 400	344,13	548,73	558,45
450x200	188,93	391,51	401,13	1300 x 400	358,21	562,82	572,54
500x200	193,68	396,27	405,88	1400 x 400	372,31	576,92	586,62
550x200	198,58	401,17	410,78	1500 x 400	386,40	591,00	600,72
600x200	203,34	405,93	415,54	450x450	233,37	435,96	445,58
700x200	213,00	415,58	425,20	500x450	240,82	443,40	453,02
800x200	229,65	432,24	441,85	550x450	248,40	450,99	460,60
900x200	239,30	441,89	451,50	600x450	255,84	458,43	468,04
1000x200	248,96	451,55	461,16	700x450	277,86	480,45	490,06
1100 x 200	261,20	465,81	475,53	800x450	292,89	495,47	505,09
1200 x 200	270,95	475,57	485,27	900x450	307,91	510,50	520,11
1300 x 200	280,71	485,32	495,03	1000x450	322,93	525,52	535,14
1400 x 200	290,47	495,07	504,79	1100 x 450	344,87	549,48	559,20
1500 x 200	307,27	511,89	521,59	1200 x 450	360,04	564,66	574,37
250x250	174,90	377,49	387,10	1300 x 450	375,22	579,84	589,54
300x250	180,20	382,78	392,40	1400 x 450	390,39	595,01	604,72
350x250	185,63	388,22	397,83	1500 x 450	405,58	610,18	619,90
400x250	190,93	393,51	403,13	500x500	248,79	451,38	460,99
450x250	196,36	398,95	408,56	550x500	256,91	459,49	469,11
500x250	201,66	404,24	413,86	600x500	271,88	474,47	484,09
550x250	207,09	409,68	419,29	700x500	287,98	490,57	500,18
600x250	219,38	421,97	431,58	800x500	304,08	506,67	516,28
700x250	230,11	432,70	442,31	900x500	320,18	522,76	532,38
800x250	240,84	443,43	453,04	1000x500	339,77	542,36	551,97
900x250	251,57	454,16	463,77	1100 x 500	359,43	564,04	573,75
1000x250	262,30	464,89	474,50	1200 x 500	375,69	580,31	590,00
1100 x 250	275,76	480,38	490,08	1300 x 500	391,95	596,56	606,27
1200 x 250	293,66	498,27	507,99	1400 x 500	408,21	612,82	622,53
1300 x 250	304,50	509,11	518,83	1500 x 500	424,46	629,08	638,78
1400 x 250	315,34	519,95	529,66	550x550	272,41	475,00	484,61
1500 x 250	326,17	530,80	540,49	600x550	280,93	483,52	493,13
300x300	186,02	388,61	398,22	700x550	298,10	500,69	510,30
350x300	191,99	394,58	404,19	800x550	315,27	517,86	527,47
400x300	197,82	400,41	410,02	900x550	335,94	538,53	548,14
450x300	203,80	406,38	416,00	1000x550	353,11	555,70	565,31
500x300	216,63	419,21	428,83	1100 x 550	373,98	578,60	588,31
550x300	222,60	425,18	434,80	1200 x 550	391,33	595,94	605,66
600x300	228,43	431,02	440,63	1300 x 550	408,68	613,28	623,00
700x300	240,23	442,82	452,43	1400 x 550	426,02	630,62	640,34
800x300	252,03	454,62	464,23	1500 x 550	443,36	647,98	657,68
900x300	263,84	466,42	476,04	600x600	290,25	492,84	502,45
1000x300	282,64	485,22	494,84	700x600	308,50	511,08	520,70
1100 x 300	297,38	502,00	511,71	800x600	330,24	532,83	542,44
1200 x 300	309,31	513,92	523,63	900x600	348,49	551,07	560,69
1300 x 300	321,22	525,84	535,55	1000x600	366,73	569,32	578,93
1400 x 300	333,15	537,76	547,47	1100 x 600	-	593,45	603,14
1500 x 300	345,07	549,68	559,39	1200 x 600	-	611,86	621,57
350x350	198,35	400,94	410,55	700 x 700	335,84	540,45	550,16
400x350	204,72	407,31	416,92	800 x 700	356,44	561,04	570,75
450x350	218,23	420,81	430,43	900 x 700	377,03	581,64	591,36
500x350	224,60	427,18	436,80	1000 x 700	397,63	602,24	611,95
550x350	231,10	433,69	443,30	1100 x 700	-	622,83	632,54
600x350	237,47	440,06	449,67	1200 x 700	-	643,43	653,15
700x350	250,35	452,94	462,55	800 x 800	379,32	583,93	593,65
800x350	263,23	465,81	475,43	900 x 800	402,08	606,71	616,40
900x350	283,10	485,69	495,30	1000 x 800	424,86	629,46	639,18
1000x350	295,98	498,56	508,18	1100 x 800	-	652,23	661,93
1100 x 350	311,95	516,55	526,27	1200 x 800	-	674,99	684,70
1200 x 350	324,95	529,55	539,27	mm		M16F-24 v	M16F-230 v
1300 x 350	341,49	546,10	555,81	1300 x 600	-	703,97	739,71
1400 x 350	354,49	559,11	568,81	1400 x 600	-	722,40	758,15
1500 x 350	367,50	572,11	581,82	1500 x 600	-	740,84	776,58
400x400	218,62	421,21	430,82	1300 x 700	-	737,71	773,46
450x400	225,66	428,25	437,86	1400 x 700	-	758,31	794,05
500x400	232,57	435,16	444,77	1500 x 700	-	778,90	814,65
550x400	239,61	442,20	451,81	1300 x 800	-	771,44	807,18
600x400	246,52	449,11	458,72	1400 x 800	-	794,21	829,95
700X400	260,47	463,06	472,67	1500 x 800	-	816,98	852,72