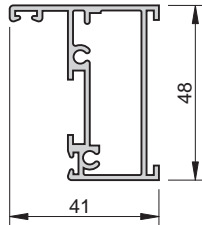
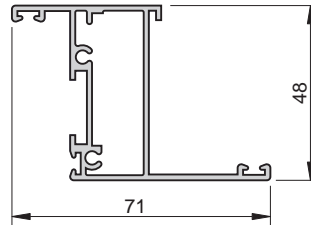


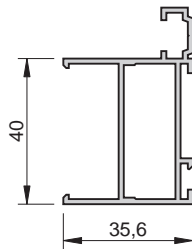
PMR320



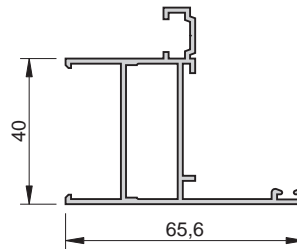
PMR323



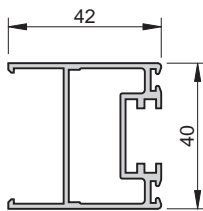
PMR318



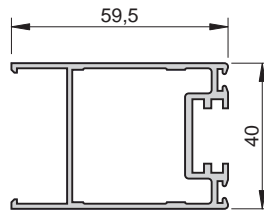
PMR319



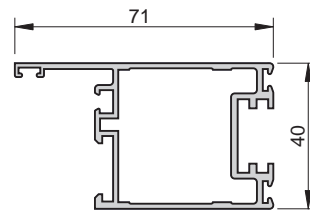
PMR337



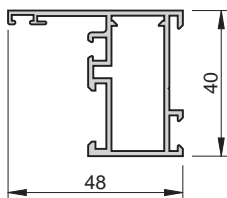
PMR338



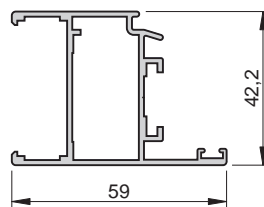
PMR331



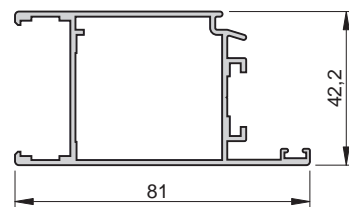
PTS4020



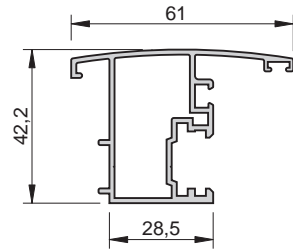
PTS4031



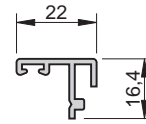
PTS4035



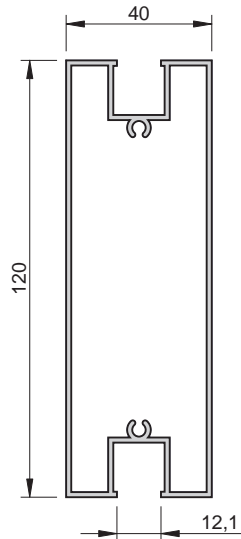
PTS4033



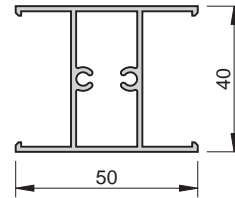
PMR335



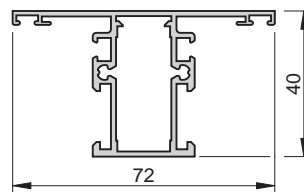
PMR341



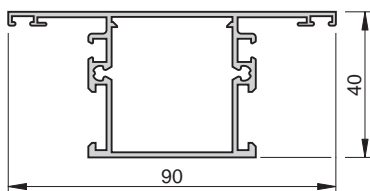
PMR345



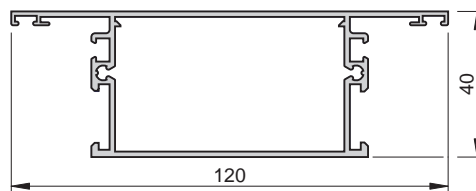
PTS4072



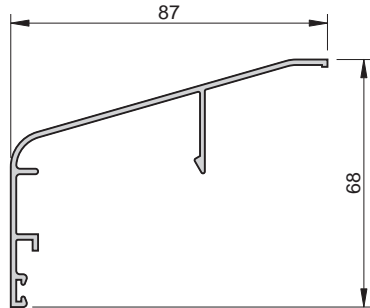
PTS4090



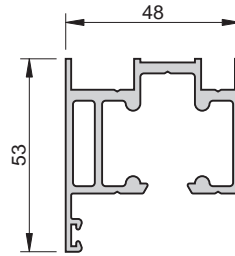
PTS40120



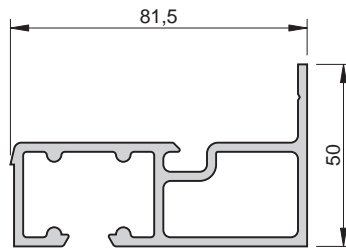
PMR325



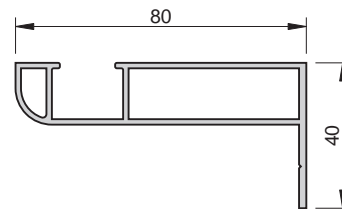
PMR326



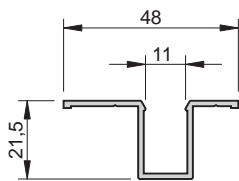
PMR324



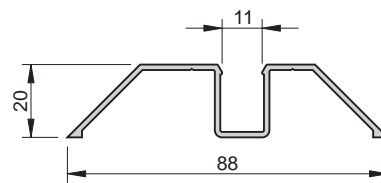
PMR353



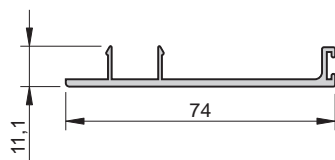
PMR327



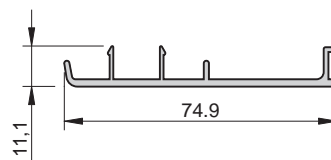
PMR328



PMR329



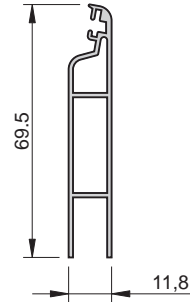
PMR3291



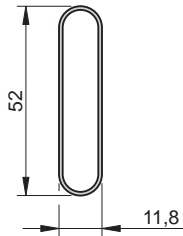
PMR350



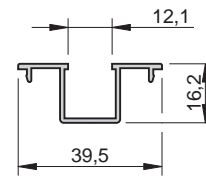
PMR352



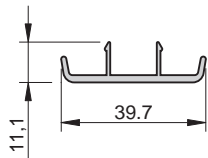
PMR351



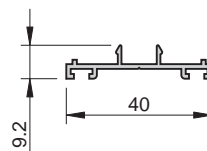
PMR354



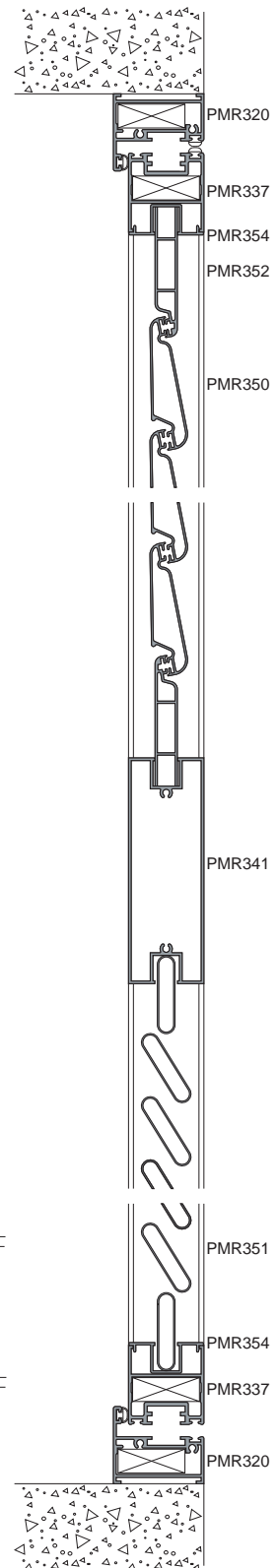
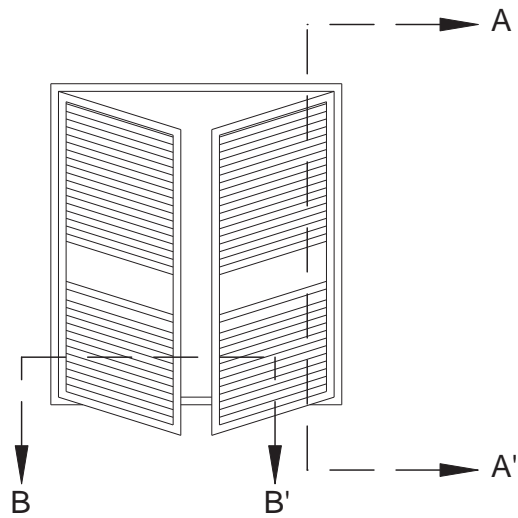
PMR355



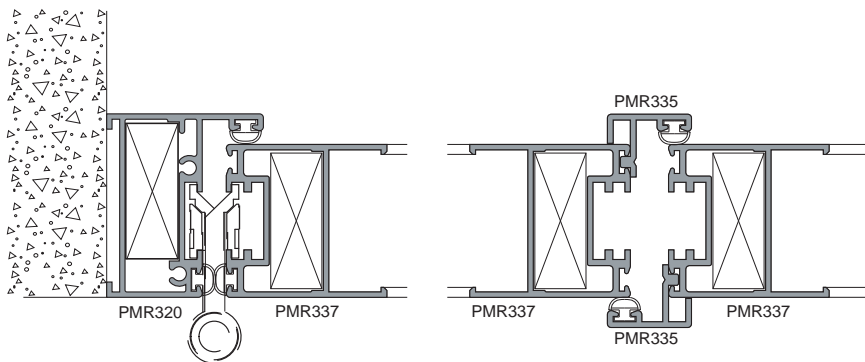
PMR342



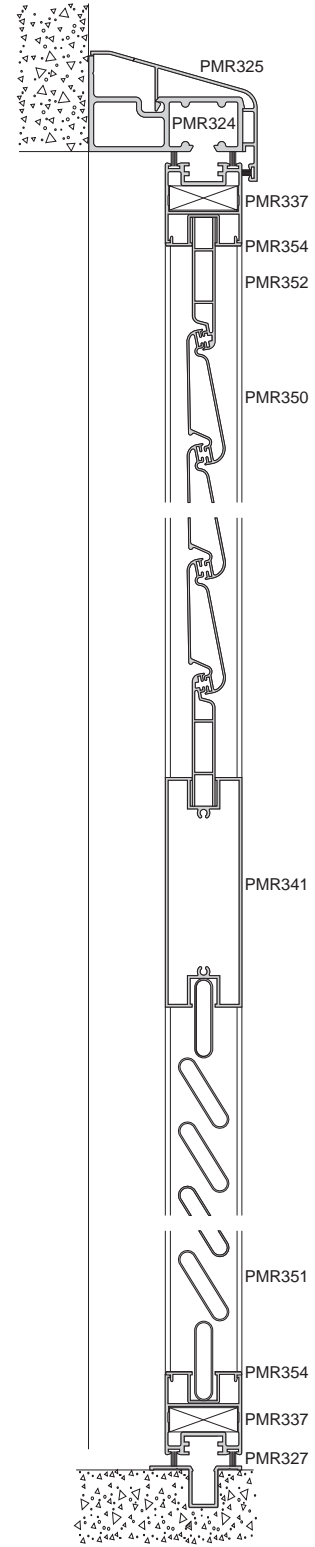
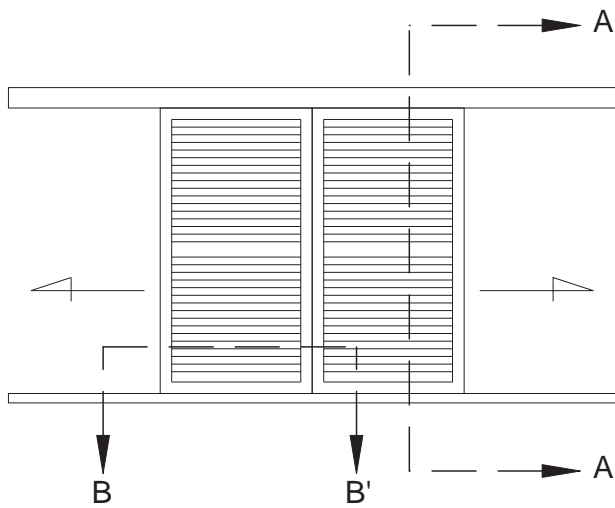
SECCI'N A-A' / SECTION A-A'



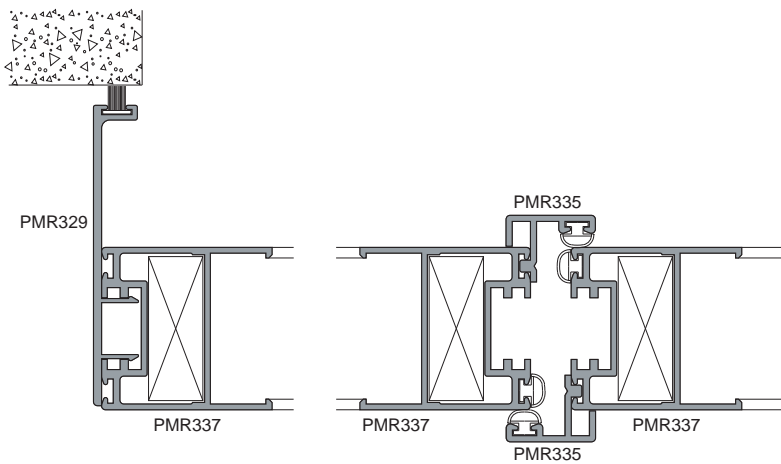
SECCI'N B-B' / SECTION B-B'



SECCI'N A-A' / SECTION A-A'



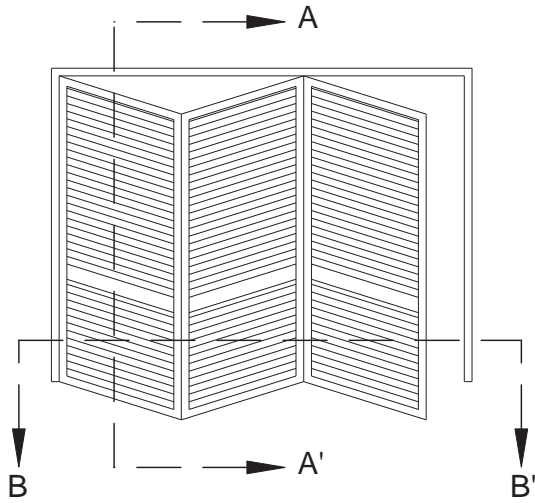
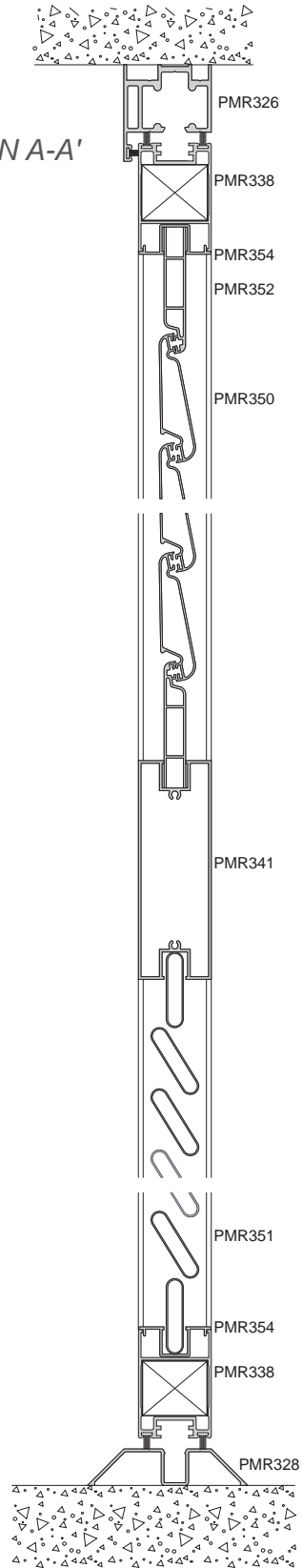
SECCI'N B-B' / SECTION B-B'



112

www.tcsistemas.com

SECCI'N A-A' / SECTION A-A'



SECCI'N B-B' / SECTION B-B'

